

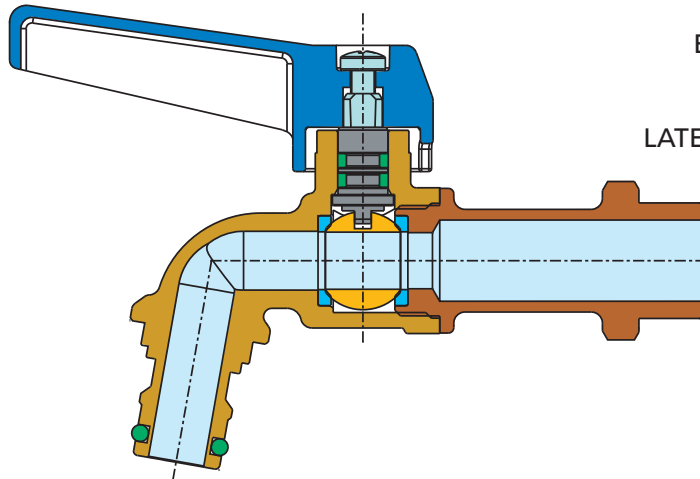


# EKO • MATIC

## Ball bib cock



Application models - EKO•MATIC



BODY	1	
END ADAPTER	2	
BALL	3	
LATERAL GASKETS	4	
STEM	5	
O-RINGS	6	
HANDLE	7	
SCREW	8	

### FEATURES

Accurate and solid design for reliable performances.  
 Perfect sealing under all working conditions.  
 Direct flow of fluids, with minimum head loss.  
 Rapid on/off 1/4 turn operation.  
 Easy visual control of open/close position.

### END CONNECTIONS

Screwed to ISO 228/1 standard.

### UTILISATION

Cold and hot water, compressed air, oils, non-corrosive fluids, crude oils.  
 For special uses, see the Table of Chemical Resistance on General Catalogue.

### WORKING PRESSURE

PN16 max.  
 See pressure/temperature diagram below.

### TEMPERATURE LIMITS

-20° C +90° C  
 See pressure/temperature diagram below.

### LEAD WHASED BALL BIB COCKS

Available on request lead washed version.  
 Recent studies have indeed proven that brass valves and cocks release significant quantities of lead (which is contained in each lead alloy) in water. This quantity is higher in the first months of use of the valve.  
 Enolgas Bonomi S.p.A. has managed to take lead away from the brass surface in a simple and cheap way by using a patented washing process.  
 The processes which undergo this process are completely according to the new standards concerning the release of lead in drinkable water.  
 As a consequence of such process, the release of lead is always lower than 10 micrograms/liter, which is the value recommended by the WHO (World Health Organization).

### EKO•LOGIC - GREEN BIB COCK

**EKO•LOGIC** ball bib cocks are coated by hard epoxy painting.

## MATERIAL SPECIFICATION

ITEM	MATERIAL	DESCRIPTION
1 Body	CW 617 N UNI EN 12165	Nickel-plated forged brass
2 End adapter	CW 617 N UNI EN 12165	Nickel-plated forged brass
3 Ball	CW 614 N UNI EN 12165	Machined brass bar, chrome-plated
4 Ball gaskets	P.T.F.E.	Pure Teflon
5 Stem	CW 614 N UNI EN 12165	Machined brass bar, nickel-plated
6 Stem O-Rings	NBR	Black rubber
7 Lever	AL UNI5076	Blue polyurethane-coated aluminum
8 Screw	8G Steel	Zinc-plated steel
9 Flow strainer	PE Resin	Forged plastic
10 Hose-holder	CW 617 N UNI EN 12165	Nickel-plated die cast brass
11 Hose-holder gasket	NBR	Black rubber
12 Nut	CW 617 N UNI EN 12165	Forged brass bar

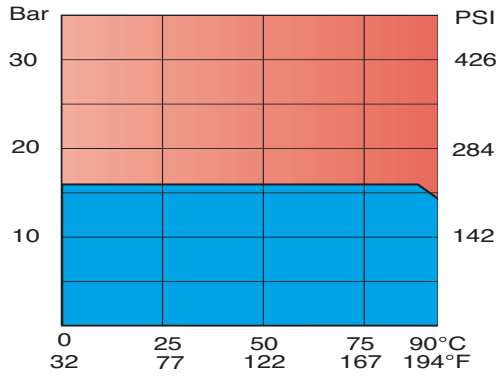




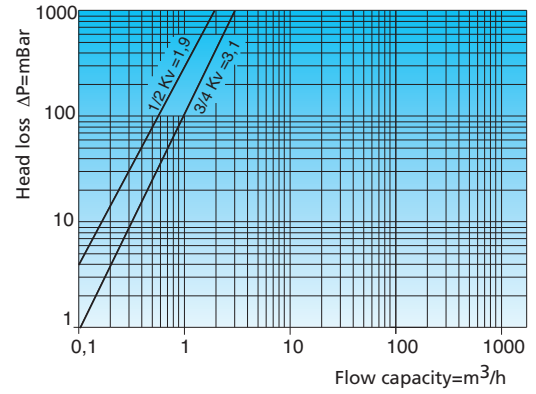
# EKO • MATIC

## Ball bib cock

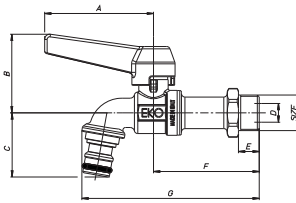
Pressure/temperature diagram  
(test made with water)



Loss of head diagram



### Art. S.0071 EKO•MATIC



Ball bib-cock, male thread, with quick connection system, nickel-plated.

SIZE	1/2"													
øA bore	63													
B mm	45,5													
- C mm	37,5													
øD mm	10													
E mm	12													
F mm	61,2													
- G mm	103													
SW mm	25													