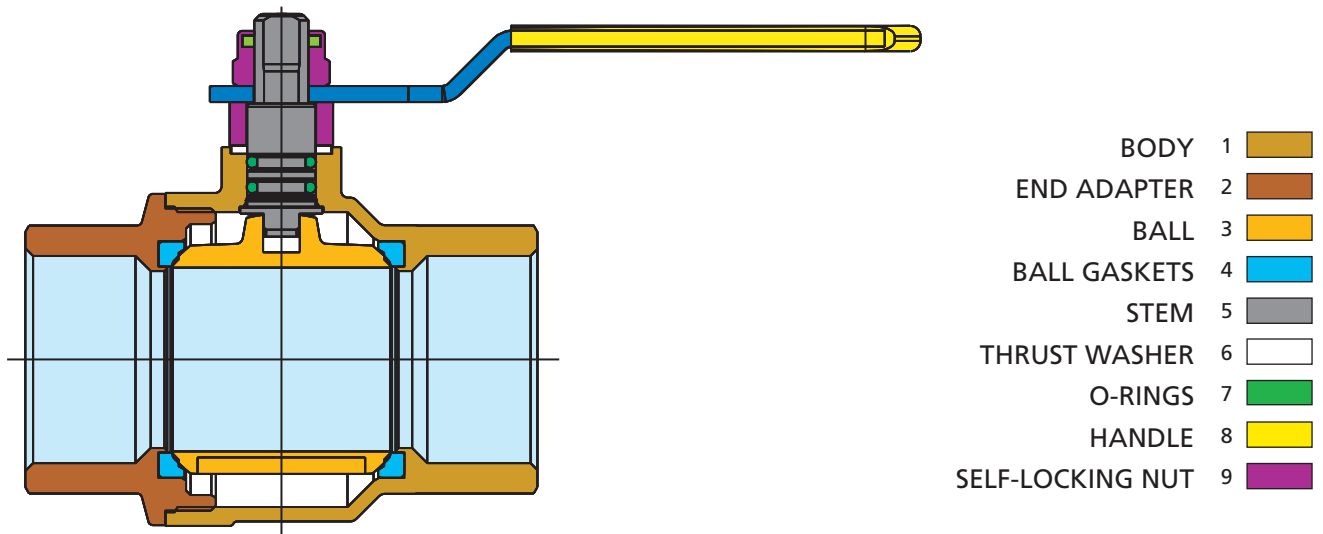




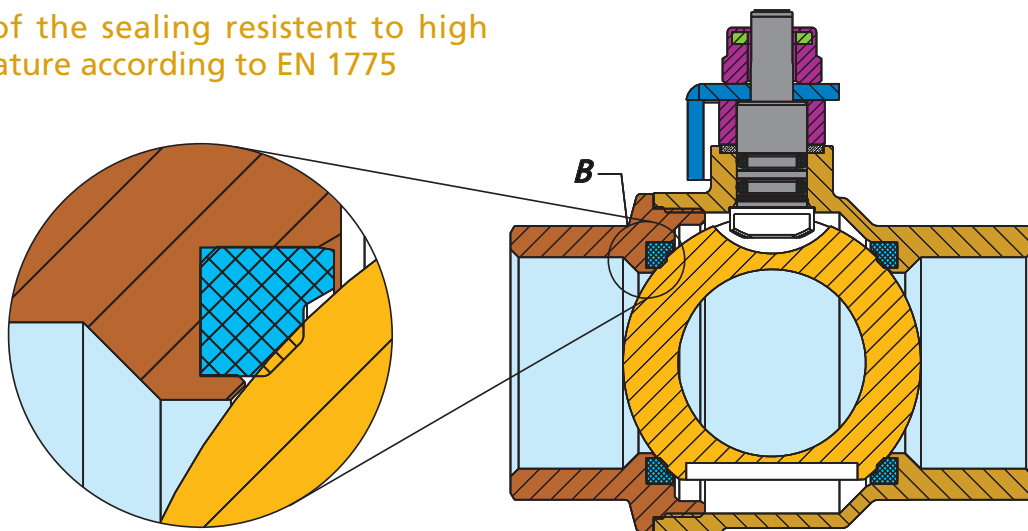
OMEGA HTB

EN 331 & EN 1775 APPROVED

Full bore ball valve Fire Safe (according to EN 1775)



Detail of the sealing resistant to high temperature according to EN 1775



INTERNATIONAL APPROVALS

The **OMEGA HTB** valves are approved to EN 331 and EN1775.

END CONNECTIONS

Screwed to UNI ISO 7/1.

WORKING PRESSURE

For gas max 5 MOP.

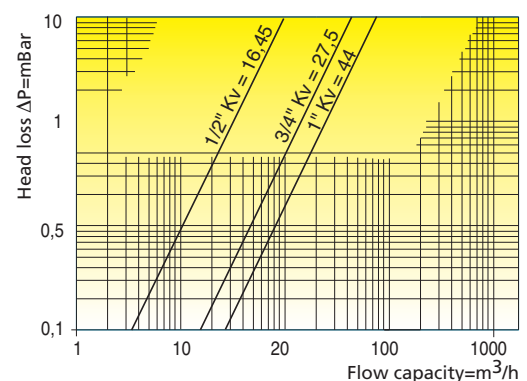
TEMPERATURE LIMITS

For gas from -20°C to +60°C.

EN1775 STANDARD

OMEGA HTB has been approved according to EN1775 standards which prescribe valves to resist at a temperature of 650° C for 30 minutes.

Head loss diagram (for use with gas)

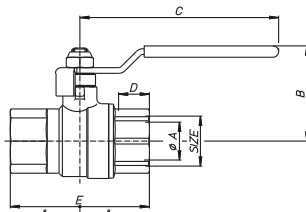




OMEGA HTB

Full bore ball valve Fire Safe (according to EN 1775)

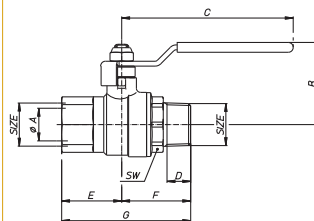
Art. S.1101 OMEGA HTB



Ball valve for gas with steel lever, female/female, nickel-plated. **Resists high temperature.**

SIZE	½"	¾"	1"						
øA pass.	15	20	25						
B mm	42	50	54,5						
C mm	90	105	105						
D mm	15	16,3	19,1						
E mm	64,5	73,5	86,5						
SW mm	26	32	39						

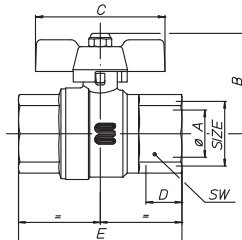
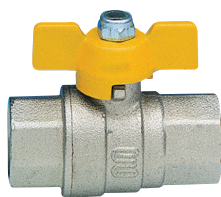
Art. S.1102 OMEGA HTB



Ball valve for gas with steel lever, male/female, nickel-plated. **Resists high temperature.**

SIZE	½"	¾"	1"						
øA pass.	15	20	25						
B mm	42	50	54,5						
C mm	90	105	105						
D mm	13,2	14,5	16,8						
E mm	32,5	36,75	43,25						
F mm	38	42,25	47,75						
G mm	70,5	79	91						
SW mm	26	32	39						

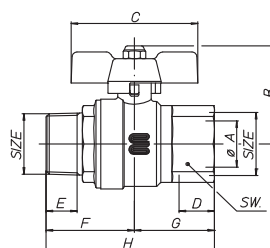
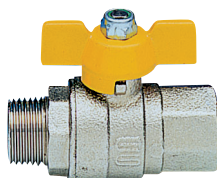
Art. S.1107 OMEGA HTB



Ball valve for gas with T-handle, female/female, nickel-plated. **Resists high temperature.**

SIZE	½"	¾"	1"						
øA bore	15	20	25						
B mm	40,5	49,5	54						
C mm	52	65	65						
D mm	15	16,3	19,1						
E mm	65	73,5	86,5						
SW mm	26	32	39						
Weight gr.	235	358	584						

Art. S.1108 OMEGA HTB



Ball valve for gas with T-handle, male/female, nickel-plated. **Resists high temperature.**

SIZE	½"	¾"	1"						
øA bore	15	20	25						
B mm	40,5	49,5	54						
C mm	52	65	65						
D mm	15	16,3	19,1						
E mm	13,2	14,5	16,8						
F mm	38	42,25	47,75						
G mm	32,5	36,75	43,25						
H mm	70,5	79	91						
SW mm	26	32	39						
Weight gr.	239	374	589						