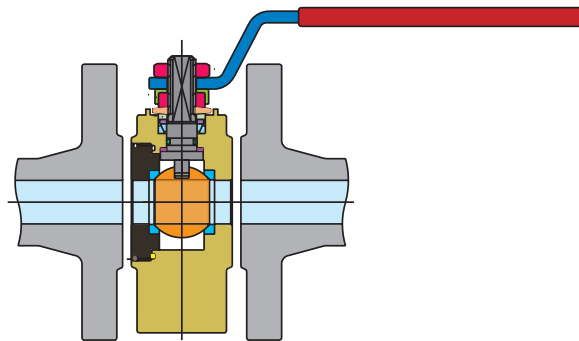


# JACKET JADE

VALVOLE INDUSTRIALI  
INDUSTRIAL VALVE



GUARDA IL VIDEO / WATCH THE VIDEO



## SPECIFICA MATERIALI MATERIAL SPECIFICATION

PARTICOLARI COMPONENTS	ACCIAIO INOX AISI 316 STAINLESS STEEL AISI 316	ACCIAIO INOX AISI 304 STAINLESS STEEL AISI 304	ACCIAIO CARBONIO CARBON STEEL
<span style="color: yellow;">■</span> GUARNIZIONE STATICA STATIC GASKET	PTFE	PTFE	PTFE
<span style="color: brown;">■</span> O-RING STATICO STATIC O-RING	NBR	NBR	NBR
<span style="color: black;">■</span> GHIERA BODY INSERT	AISI 316 D 1.4401	A 105 D 1.4301	AISI 316 D 1.4401
<span style="color: cyan;">■</span> SEDI LATERALI BALL SEATS	PTFE	PTFE	PTFE
<span style="color: purple;">■</span> ANELLO ANTIFRIZIONE THRUST WASHER	PTFE	PTFE	PTFE
<span style="color: lightblue;">■</span> GUARNIZIONE DI TENUTA SUPERIORE STEM PACKING	PTFE	PTFE	PTFE
<span style="color: lightgreen;">■</span> FERMO OPERATION-STOP	AISI 304 D 1.4301	AISI 304 D 1.4301	AISI 304 D 1.4301
<span style="color: limegreen;">■</span> BASE PER IL DADO FISSO FIXING-NUT-PLAT	AISI 304 D 1.4301	AISI 304 D 1.4301	AISI 304 D 1.4301
<span style="color: blue;">■</span> LEVA LEVER HANDLE	AISI 304 D 1.4301	AISI 304 D 1.4301	ZINC PLATED STEEL
<span style="color: red;">■</span> DADO LOCKING NUT	AISI 304 D 1.4301	AISI 304 D 1.4301	ZINC PLATED STEEL
<span style="color: red;">■</span> DADO DEL PERNO STEM RETAINING-NUT	AISI 304 D 1.4301	AISI 304 D 1.4301	ZINC PLATED STEEL
<span style="color: orange;">■</span> RONDELLE ELASTICHE SPRING WASHERS	AISI 301 D 1.4310	AISI 301 D 1.4310	50 CRV4
<span style="color: purple;">■</span> PREMIGUARNIZIONE PACKING WASHERS	AISI 304 D 1.4301	AISI 303 D 1.4305	AISI 303 D 1.4305
<span style="color: green;">■</span> O-RING O-RING	FKM	FKM	FKM
<span style="color: grey;">■</span> PERNO STEM	AISI 316 D 1.4401	AISI 304 D 1.4301	AISI 304 D 1.4301
<span style="color: orange;">■</span> SFERA BALL	AISI 316 D 1.4408	DN 15/20 AISI 316 D 1.4408 DN 25/100 AISI 304 D 1.4308	DN 15/20 AISI 316 D 1.4408 DN 25/100 AISI 304 D 1.4308
<span style="color: yellow;">■</span> CORPO BODY	AISI 316 D 1.4408	AISI 304 D 1.4301	A 105

# JACKET JADE

VALVOLE INDUSTRIALI  
INDUSTRIAL VALVE

## A0464 JACKET JADE

**ATEX** CE Ex II 2 GD X \*

\*Su richiesta/Available on request

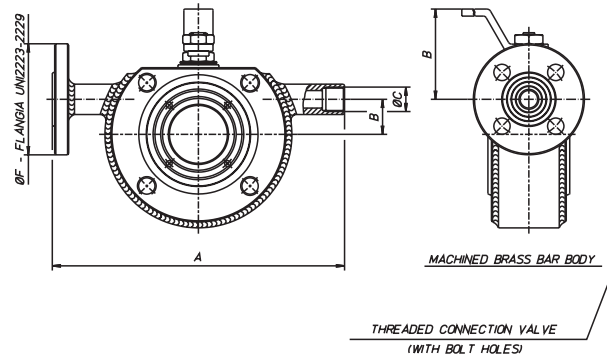
UNI EN 1092-1  
AISI 316



PED 2014/68/EU



**FIRE SAFE**



CODICE CODE	MISURA SIZE	PN Bar	PN CAMICIA JACKETS PN	EXECUTION	A	B	øC	D	E	øF	KV
A0464X04	DN 15	16/40	6	B-ND	160	0	G1/2	140	65	DN15	20
A0464X05	DN 20	16/40	6	B-ND	160	0	G1/2	140	70	DN15	60
A0464X06	DN 25	16/40	6	B-ND	190	0	G1/2	180	82	DN15	100
A0464X07	DN 32	16/40	6	B-ND	210	25	G1/2	180	85	DN15	130
A0464X08	DN 40	16/40	6	B	230	30	G1/2	230	102	DN15	170
A0464X09	DN 50	16/40	6	B	250	10	G1/2	230	110	DN15	280
A0464X10	DN 65	16	6	B	270	45	G1/2	350	137,5	DN15	510
A0464X11	DN 80	16/40	6	B-ND	300	50	G1/2	350	150	DN15	770
A0464X12	DN 100	16	6	B	340	70	G1	508	165	DN25	1200

Valvola a sfera wafer in acciaio inox AISI 316 con camicie di riscaldamento in AISI304 con troncetti filettati 1/2" femmina per le misure da DN15 a DN80; 1" femmina per DN100.  
Wafer stainless steel ball valve with heating jackets 1/2" female threads from DN15 to DN80; 1" for DN100.

## A0465 JACKET JADE

**ATEX** CE Ex II 2 GD X \*

\*Su richiesta/Available on request

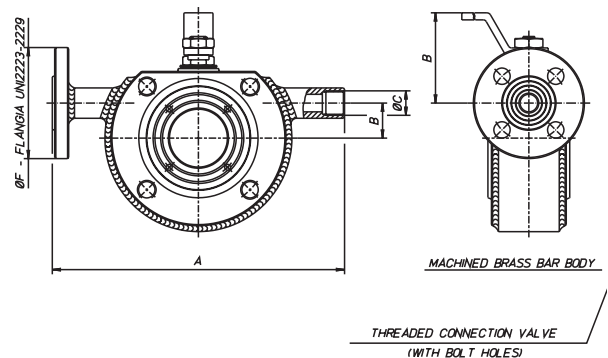
UNI EN 1092-1  
AISI 316



PED 2014/68/EU



**FIRE SAFE**



CODICE CODE	MISURA SIZE	PN Bar	PN CAMICIA JACKETS PN	EXECUTION	A	B	øC	D	E	øF	KV
A0465X04	DN 15	16/40	6	B-ND	160	0	G1/2	140	65	DN15	20
A0465X05	DN 20	16/40	6	B-ND	160	0	G1/2	140	70	DN15	60
A0465X06	DN 25	16/40	6	B-ND	190	0	G1/2	180	82	DN15	100
A0465X07	DN 32	16/40	6	B-ND	210	25	G1/2	180	85	DN15	130
A0465X08	DN 40	16/40	6	B	230	30	G1/2	230	102	DN15	170
A0465X09	DN 50	16/40	6	B	250	10	G1/2	230	110	DN15	280
A0465X10	DN 65	16	6	B	270	45	G1/2	350	137,5	DN15	510
A0465X11	DN 80	16/40	6	B-ND	300	50	G1/2	350	150	DN15	770
A0465X12	DN 100	16	6	B	340	70	G1	508	165	DN25	1200

Valvola a sfera wafer in acciaio inox AISI 316 con camicie di riscaldamento in AISI304.  
Wafer stainless steel ball valve with AISI304 heating jackets.

B: DA BARRA / FROM BAR - F: DA FUSIONE / CAST VERSION - ND: NON DEBORDATE / BALL CONTAINED

# JACKET JADE

VALVOLE INDUSTRIALI  
INDUSTRIAL VALVE

## A0467 JACKET JADE

**ATEX** CE Ex II 2 GD X \*

\*Su richiesta/Available on request

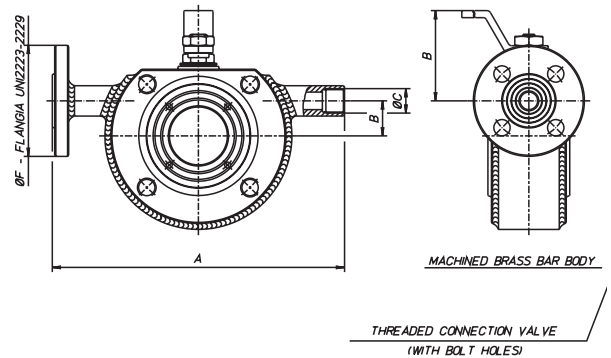
UNI EN 1092-1  
AISI 304



PED 2014/68/EU



**FIRE SAFE**



CODICE CODE	MISURA SIZE	PN Bar	PN CAMICIA JACKETS PN	EXECUTION	A	B	øC	D	E	øF	KV
A0467X04	DN 15	16/40	6	B-ND	160	0	G1/2	140	65	DN15	20
A0467X05	DN 20	16/40	6	B-ND	160	0	G1/2	140	70	DN15	60
A0467X06	DN 25	16/40	6	B-ND	190	0	G1/2	180	82	DN15	100
A0467X07	DN 32	16/40	6	B-ND	210	25	G1/2	180	85	DN15	130
A0467X08	DN 40	16/40	6	B	230	30	G1/2	230	102	DN15	170
A0467X09	DN 50	16/40	6	B	250	10	G1/2	230	110	DN15	280
A0467X10	DN 65	16	6	B	270	45	G1/2	350	137,5	DN15	510
A0467X11	DN 80	16/40	6	B-ND	300	50	G1/2	350	150	DN15	770
A0467X12	DN 100	16	6	B	340	70	G1	508	165	DN25	1200

Valvola a sfera wafer in acciaio al carbonio con camicie di riscaldamento e tronchetti filettati 1/2" femmina per le misure da DN15 a DN80; 1" femmina per DN100.  
Wafer carbon steel ball valve with heating jackets 1/2" female threads from DN15 to DN80; 1" for DN100.

## A0468 JACKET JADE

**ATEX** CE Ex II 2 GD X \*

\*Su richiesta/Available on request

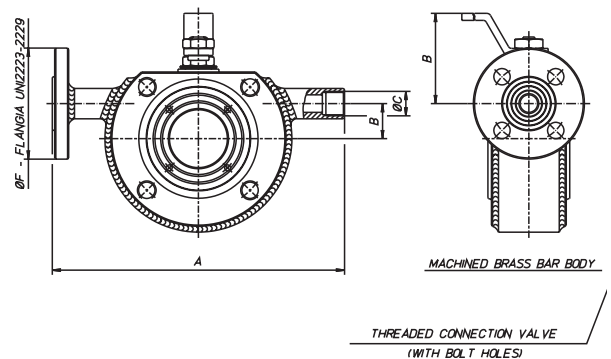
UNI EN 1092-1  
A105



PED 2014/68/EU



**FIRE SAFE**



CODICE CODE	MISURA SIZE	PN Bar	PN CAMICIA JACKETS PN	EXECUTION	A	B	øC	D	E	øF	KV
A0468X04	DN 15	16/40	6	B-ND	160	0	G1/2	140	65	DN15	20
A0468X05	DN 20	16/40	6	B-ND	160	0	G1/2	140	70	DN15	60
A0468X06	DN 25	16/40	6	B-ND	190	0	G1/2	180	82	DN15	100
A0468X07	DN 32	16/40	6	B-ND	210	25	G1/2	180	85	DN15	130
A0468X08	DN 40	16/40	6	B	230	30	G1/2	230	102	DN15	170
A0468X09	DN 50	16/40	6	B	250	10	G1/2	230	110	DN15	280
A0468X10	DN 65	16	6	B	270	45	G1/2	350	137,5	DN15	510
A0468X11	DN 80	16/40	6	B-ND	300	50	G1/2	350	150	DN15	770
A0468X12	DN 100	16	6	B	340	70	G1	508	165	DN25	1200

Valvola a sfera wafer in acciaio al carbonio con camicie di riscaldamento.  
Wafer carbon steel ball valve with heating jackets.

B: DA BARRA / FROM BAR - F: DA FUSIONE / CAST VERSION - ND: NON DEBORDATE / BALL CONTAINED

# JACKET JADE

VALVOLE INDUSTRIALI  
INDUSTRIAL VALVE

## A0464 JACKET JADE

**ATEX** CE Ex II 2 GD X \*

\*Su richiesta/Available on request

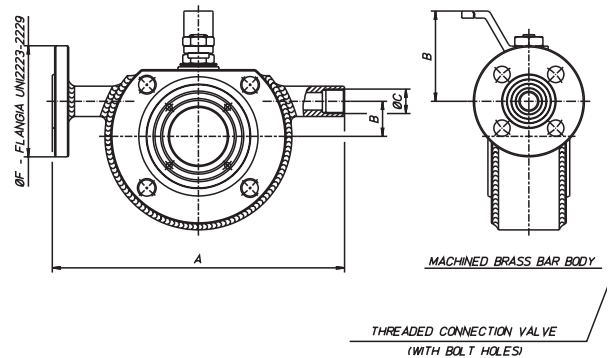
UNI EN 1092-1  
AISI 316



PED 2014/68/EU



**FIRE SAFE**



CODICE CODE	MISURA SIZE	PN Bar	PN CAMICIA JACKETS PN	EXECUTION	A	B	øC	D	E	øF	KV
A0464X04	DN 15	16/40	6	B-ND	160	0	G1/2	140	65	DN15	20
A0464X05	DN 20	16/40	6	B-ND	160	0	G1/2	140	70	DN15	60
A0464X06	DN 25	16/40	6	B-ND	190	0	G1/2	180	82	DN15	100
A0464X07	DN 32	16/40	6	B-ND	210	25	G1/2	180	85	DN15	130
A0464X08	DN 40	16/40	6	B	230	30	G1/2	230	102	DN15	170
A0464X09	DN 50	16/40	6	B	250	10	G1/2	230	110	DN15	280
A0464X10	DN 65	16	6	B	270	45	G1/2	350	137,5	DN15	510
A0464X11	DN 80	16/40	6	B-ND	300	50	G1/2	350	150	DN15	770
A0464X12	DN 100	16	6	B	340	70	G1	508	165	DN25	1200

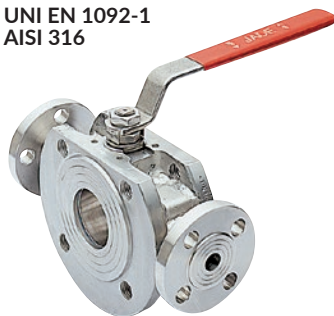
Valvola a sfera wafer in acciaio inox AISI 316 con camicie di riscaldamento in AISI304 con troncetti filettati 1/2" femmina per le misure da DN15 a DN80; 1" femmina per DN100.  
Wafer stainless steel ball valve with heating jackets 1/2" female threads from DN15 to DN80; 1" for DN100.

## A0465 JACKET JADE

**ATEX** CE Ex II 2 GD X \*

\*Su richiesta/Available on request

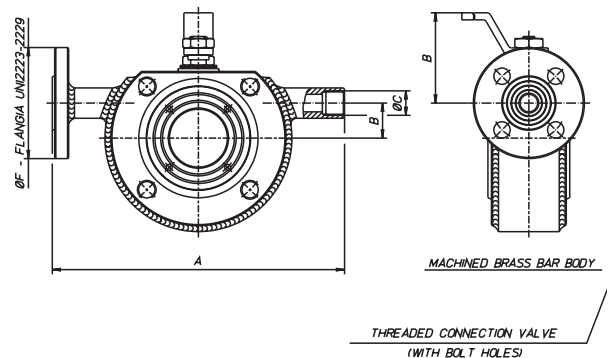
UNI EN 1092-1  
AISI 316



PED 2014/68/EU



**FIRE SAFE**



CODICE CODE	MISURA SIZE	PN Bar	PN CAMICIA JACKETS PN	EXECUTION	A	B	øC	D	E	øF	KV
A0465X04	DN 15	16/40	6	B-ND	160	0	G1/2	140	65	DN15	20
A0465X05	DN 20	16/40	6	B-ND	160	0	G1/2	140	70	DN15	60
A0465X06	DN 25	16/40	6	B-ND	190	0	G1/2	180	82	DN15	100
A0465X07	DN 32	16/40	6	B-ND	210	25	G1/2	180	85	DN15	130
A0465X08	DN 40	16/40	6	B	230	30	G1/2	230	102	DN15	170
A0465X09	DN 50	16/40	6	B	250	10	G1/2	230	110	DN15	280
A0465X10	DN 65	16	6	B	270	45	G1/2	350	137,5	DN15	510
A0465X11	DN 80	16/40	6	B-ND	300	50	G1/2	350	150	DN15	770
A0465X12	DN 100	16	6	B	340	70	G1	508	165	DN25	1200

Valvola a sfera wafer in acciaio inox AISI 316 con camicie di riscaldamento in AISI304.  
Wafer stainless steel ball valve with AISI304 heating jackets.

B: DA BARRA / FROM BAR - F: DA FUSIONE / CAST VERSION - ND: NON DEBORDATE / BALL CONTAINED